

# POWER YOUR FUTURE

## Cummins Generator LG75C

# 4BTA3.9-G13

Prime Power: 75KW/93.75KVA

Standby Power: 82.5KW/103.13KVA



## GENERATING POWER SOLUTIONS

### Increased availability for new operations

Reliable, robust and versatile generator.  
Ready to deliver power for a next job.

### Increased uptime during operations

Once installed on the end-user-site, the generator will be ready to run: "peace of mind" operation.

### Reduced transport and installation costs

The compact and robust design with integrated transport features enables faster and safer transport and installation.

### Reduced service & maintenance costs

Longer service intervals.  
Quicker and more efficient service jobs.

### Premium resale value

Designed and built to last.

### SAFETY

- Operate safely in accordance with proper operation manual.
- To prevent trouble and accidents, perform daily and preventive maintenance checks without fail.

## Cummins Series

25KVA--2000KVA



## FUAN LONGKAI POWER CO.,LTD.

### Headquarters:

Add: Wei 5 Road, Tiehu Industrial Zone, Fuan, Fujian, China

Tel: +86-0593-6309773 Fax: +86-0593-6586988

E-mail: sales@longkaipower.com

Web: www.longkaipower.com

## Technical Data

LG75C

Model		LG75C
Rated prime power	kva	93.75
Rated standard power	kva	103.13
Rated voltage line to line	V	400/230
Rated current	A	135
Maximun sound level	dB(@7m)	96

Engine-DCEC Cummins		
Model	4BTA3.9-G13	
Aspiration	charge inter-cooling	
Fuel system	WeiFu WB pump	
No. cylinders	4 in line	
Displacement	Liquid	3.9
Bore*Stroke	mm	102*120
Compression ratio	18.0: 1	
Rated speed	r/min	1500
Rated net power(with fan)	Kw	87
Governor type	Electronic speed	
Start Motor	V	24

Exhaust System		
Exhaust gas flow	m³/min	167
Exhaust gas temp	°C	404
Max back pressure	kPa	10

Aspiration System		
Max inlet pressure	kPa	
Combustion volume	m³/min	
Air flow	m³/min	95

Fuel System		
100% load(Prime power)	L/h	18.8
75% load(Prime power)	L/h	14.1
50% load(Prime power)	L/h	10.1
Fuel tank capacity	L	120

Lubrication System		
Oil capacity	L	10.9
Oil consumption	g/kwh	0.5
Oil pressure	kPa	207-345
(continuous operation)		

Cooling System		
Coolant capacity	L	7.2
Thermostat operation range	°C	83-95
Max water temperature	°C	110/104

Alternator		
Model	LONGKAI	LK274C
	STAMFORD	UCI274C
Phase	3	
Voltage	V	400/230
Wiring Type	3 Phase 4 wire, Y type	
Bearing	1	
Power factor	0.8	
Frequency	Hz	50
Prime power	KW	80
Exciter Type	Brushless, self-excitation	
Voltage regulation	%	±0.5
Protection Grade	IP 23	
Insulation grade	H/H	
Altitude	m	≤1000

Controller-DEESEA	
Model	DSE6120MK3
Protective functions:	<ul style="list-style-type: none"> <li>■ Low oil pressure</li> <li>■ High water temperature</li> <li>■ High/low voltage</li> <li>■ High Engine Temperature and Overspeed.</li> <li>■ Voltage regulator frequency regulator</li> <li>■ Emergency stop</li> <li>■ Start failure</li> </ul>



## Control Module Options



- Auto generator control module
- Control module with "Three Remote Control" functions
- ATS auto load transfer screen
- Synchronising control modules
- Power output cabinet

### Standard Features

- Engine(DCEC Cummins)
- Radiator 50°C max,fans are driven by bel
- 24V charge alternator
- Alternator: single bearing alternator IP23, insulation class H/H
- Standard auto control system
- One set of air filter, fuel filter, oil filter
- Main line circuit breaker/MCCB
- Base fuel tank
- Two 24V batteries, rac and cable
- Exhaust system(Ripple flex exhaust pipe, exhaust siphon, flange, muffler)
- User manual

### Options

- Battery charge
- Engine heater
- Alternator heater
- PMG
- Water oil separator
- Daily fuel tank
- Remote control panel
- Automatic transfer switch/ATS
- Switch box
- Standard: ●                      Options:○

### Warranty\*

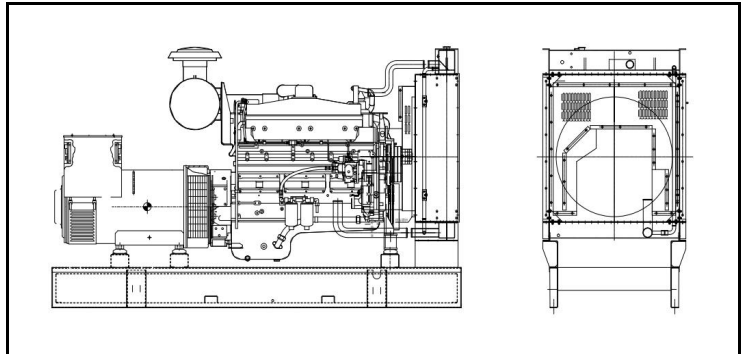
#### Cummins Engine

12 months from date of purchase and 1000 hours.

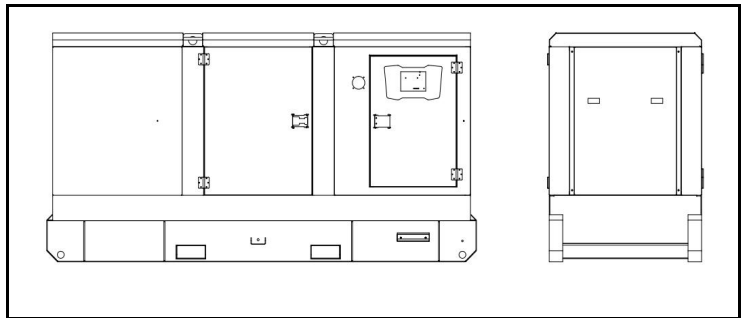
#### Generator

12 months from date of purchase or 1000 hours (whichever occurs first).

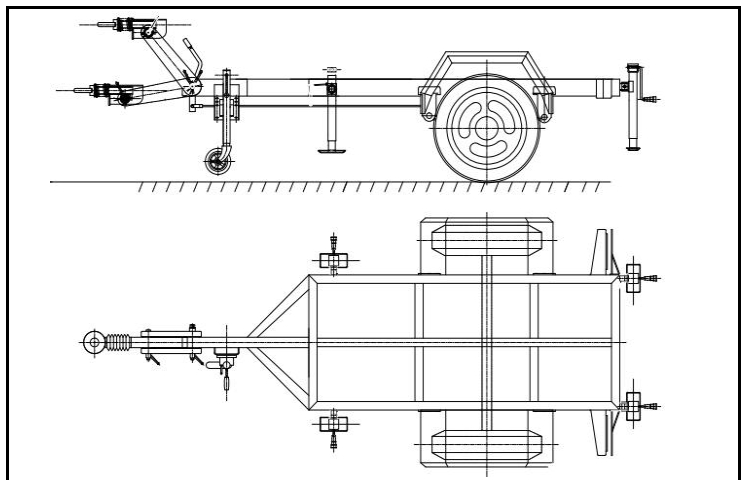
### Unit Dimensions(Basic unit)



Open Type		
L*W*H	mm	1900*800*1300
Weight	kg	900



Silent Type		
L*W*H	mm	2688*1080*1450
Weight	kg	1300



Trailer Option		
L*W*H	mm	3400*1750*950
Max loading weight	kg	1300