

# POWER YOUR FUTURE

## SDEC Generator LG600SC

# SC33W990D2

Prime Power: 600KW/750KVA

Standby Power: 660KW/825KVA



## GENERATING POWER SOLUTIONS

### **Increased availability for new operations**

Reliable, robust and versatile generator.  
Ready to deliver power for a next job.

### **Increased uptime during operations**

Once installed on the end-user-site, the generator will be ready to run: "peace of mind" operation.

### **Reduced transport and installation costs**

The compact and robust design with integrated transport features enables faster and safer transport and installation.

### **Reduced service & maintenance costs**

Longer service intervals.  
Quicker and more efficient service jobs.

### **Premium resale value**

Designed and built to last.

### **SAFETY**

- Operate safely in accordance with proper operation manual.
- To prevent trouble and accidents, perform daily and preventive maintenance checks without fail.

## SDEC Series

60KVA--1100KVA



## FUAN LONGKAI POWER CO.,LTD.

### Headquarters:

Add: Wei 5 Road, Tiehu Industrial Zone, Fuan, Fujian, China

Tel: +86-0593-6309773 Fax: +86-0593-6586988

E-mail: sales@longkaipower.com

Web: www.longkaipower.com

## Technical Data

Model	LG600SC	
Rated prime power	kva	750
Rated standard power	kva	825
Rated voltage line to line	V	400/230
Rated current	A	1083
Maximun sound level	dB(@7m)	≤100

## Engine-SDEC

Model	SC33W990D2	
Aspiration	V type, four stroke, water cooled, pressurized air cooled	
Fuel system	P9 type	
No. cylinders	6 in line	
Displacement	Liquid	32.8
Bore*Stroke	mm	180*215
Compression ratio	15	
Rated speed	r/min	1500
Rated net power(with fan)	Kw	660
Governor type	E	
Start Motor	V	24V×13kW

## Exhaust System

Exhaust gas flow	m <sup>3</sup> /min	152.6
Exhaust gas temp	°C	680
Max back pressure	kPa	8

## Aspiration System

Max inlet pressure	kPa	6
Air flow	m <sup>3</sup> /min	62.9
Fan consumption	m <sup>3</sup> /s	/

## Fuel System

100% load(Prime power)	L/h	142.2
75% load(Prime power)	L/h	104.4
50% load(Prime power)	L/h	73.8
Fuel tank capacity	L	1500

## Lubrication System

Oil capacity	L	75
Oil consumption	g/kwh	/
Oil pressure	kPa	/
(continuous operation)		

## Cooling System

Coolant capacity	L	56
Thermostat operation range	°C	77-90
Max water temperature	°C	104

## Alternator

Model	LONGKAI	LK634B
	STAMFORD	LVI634B-S5L1D-H4
Phase	3	
Voltage	V	400/230
Wiring Type	3 Phase 4 wire, Y type	
Bearing	1	
Power factor	0.8	
Frequency	Hz	50
Prime power	KW	600
Exciter Type	Brushless, self-excitation	
Voltage regulation	%	±0.5
Protection Grade	IP 23	
Insulation grade	H/H	
Altitude	m	≤1000

## Controller-DEESEA

Model	DSE6120MK3
-------	------------

Protective functions:

- Low oil pressure
- High water temperature
- High/low voltage
- High Engine Temperature and Overspeed.
- Voltage regulator frequency regulator
- Emergency stop
- Start failure



## Control Module Options



- Auto generator control module
- Control module with "Three Remote Control" functions
- ATS auto load transfer screen
- Synchronising control modules
- Power output cabinet

### Standard Features

- Engine(SDEC)
- Radiator 50°C max,fans are driven by bel
- 24V charge alternator
- Alternator: single bearing alternator IP23, insulation class H/H
- Standard auto control system
- One set of air filter, fuel filter, oil filter
- Main line circuit breaker/MCCB
- Base fuel tank
- Two 24V batteries, rac and cable
- Exhaust system(Ripple flex exhaust pipe, exhaust siphon, flange, muffler)
- User manual

### Options

- Battery charge
- Engine heater
- Alternator heater
- PMG
- Water oil separator
- Daily fuel tank
- Remote control panel
- Automatic transfer switch/ATS
- Switch box
- Standard: ●                      Options:○

### Warranty\*

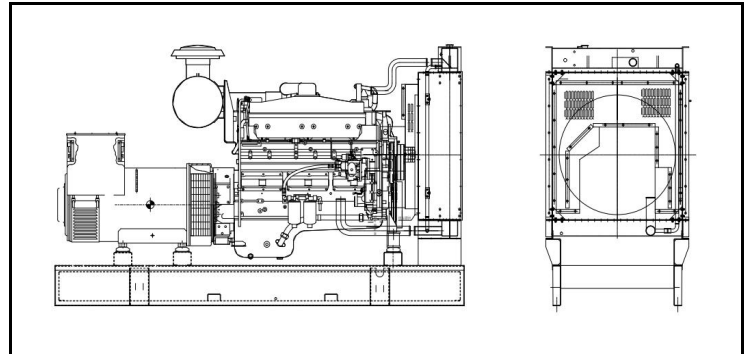
#### SDEC Engine

24 months from date of purchase and 3000 hours.

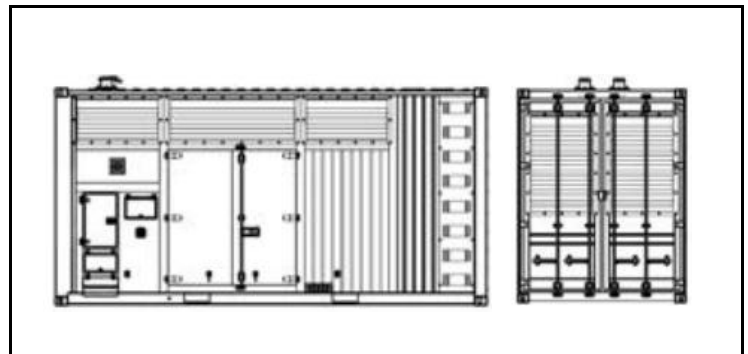
#### Generator

12 months from date of purchase or 1000 hours (whichever occurs first).

### Unit Dimensions(Basic unit)



Open Type		
L*W*H	mm	4400*2140*2280
Weight	kg	7550



Silent Type(Standard 20'ft container)		
L*W*H	mm	6058*2438*2591
Weight	kg	12000