

POWER YOUR FUTURE

Weichai Generator
LG1250WP

16M33D1530E310

Prime Power: 1250KW/1562.5KVA

Standby Power: 1375KW/1718.75KVA



GENERATING POWER SOLUTIONS

Increased availability for new operations

Reliable, robust and versatile generator.
Ready to deliver power for a next job.

Increased uptime during operations

Once installed on the end-user-site, the generator will be ready to run: "peace of mind" operation.

Reduced transport and installation costs

The compact and robust design with integrated transport features enables faster and safer transport and installation.

Reduced service & maintenance costs

Longer service intervals.
Quicker and more efficient service jobs.

Premium resale value

Designed and built to last.

SAFETY

- Operate safely in accordance with proper operation manual.
- To prevent trouble and accidents, perform daily and preventive maintenance checks without fail.

Weichai Baudouin Series

500KVA--42000KVA



FUAN LONGKAI POWER CO.,LTD.

Headquarters:

Add: Wei 5 Road, Tiehu Industrial Zone, Fuan, Fujian, China

Tel: +86-0593-6309773 Fax: +86-0593-6586988

E-mail: sales@longkaipower.com

Web: www.longkaipower.com

Technical Data

LG1250WP

Model		LG1250WP
Rated prime power	kva	
Rated standard power	kva	1875
Rated voltage line to line	V	400/230
Rated current	A	2706
Maximun sound level	dB(@7m)	

Engine-Weichai		
Model		16M33D1530E310
Aspiration		Turbocharging and intercooling
Fuel system		Mechanical Pump+Electronic Speed Governor
No. cylinders		V 16
Displacement	Liquid	50.3
Bore*Stroke	mm	159*159
Compression ratio		13.9: 1
Rated speed	r/min	1500
Rated net power(with fan)	Kw	1390
Governor type		EFC Electrical
Start Motor	V	24

Exhaust System		
Exhaust gas flow	L/s	4350
Exhaust gas temp	°C	485
Max back pressure	kPa	10

Aspiration System		
Max inlet pressure	kPa	≤3
Combustion volume	L/s	/
Air flow	L/s	1500

Fuel System		
100% load(Prime power)	L/h	297
75% load(Prime power)	L/h	/
50% load(Prime power)	L/h	/
Fuel tank capacity	L	3000
		(External Fuel Tank)

Lubrication System		
Oil capacity	L	204
Oil consumption	g/kwh	0.85
Oil pressure	kPa	138
		(continuous operation)

Cooling System		
Coolant capacity	L	165
Thermostat operation range	°C	82-93
Max water temperature	°C	104

Alternator		
Model	LONGKAI	LK734C
	STAMFORD	PI734C-S7L1D-C4
Phase		3
Voltage	V	400/230
Wiring Type		3 Phase 4 wire, Y type
Bearing		1
Power factor		0.8
Frequency	Hz	50
Prime power	KW	1120
Exciter Type		Brushless, self-excitation
Voltage regulation	%	±0.5
Protection Grade		IP 23
Insulation grade		H/H
Altitude	m	≤1000

Controller-DEESEA		
Model		DSE6120MK3

- Protective functions:
- Low oil pressure
 - High water temperature
 - High/low voltage
 - High Engine Temperature and Overspeed.
 - Voltage regulator frequency regulator
 - Emergency stop
 - Start failure



Control Module Options



- Auto generator control module
- Control module with "Three Remote Control" functions
- ATS auto load transfer screen
- Synchronising control modules
- Power output cabinet



Standard Features

- Engine(Weichai Baudouin)
- Radiator 50°C max,fans are driven by bel
- 24V charge alternator
- Alternator: single bearing alternator IP23, insulation class H/H
- Standard auto control system
- One set of air filter, fuel filter, oil filter
- Main line circuit breaker/MCCB
- Base fuel tank
- Two 24V batteries, rac and cable
- Exhaust system(Ripple flex exhaust pipe, exhaust siphon, flange, muffler)
- User manual

Options

- Battery charge
- Engine heater
- Alternator heater
- PMG
- Water oil separator
- Daily fuel tank
- Remote control panel
- Automatic transfer switch/ATS
- Switch box
- Standard: ● Options:○

Warranty*

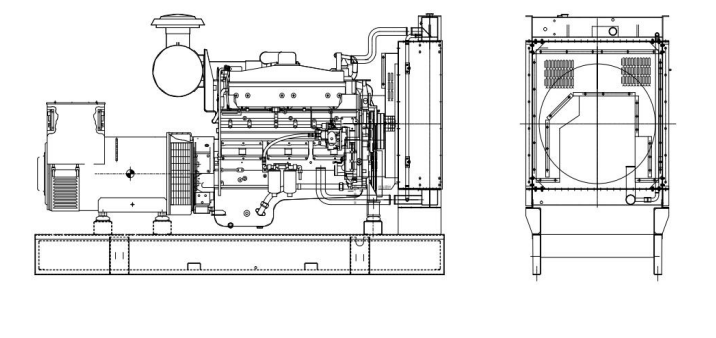
Weichai Engine

12 months from date of purchase and 1000 hours.

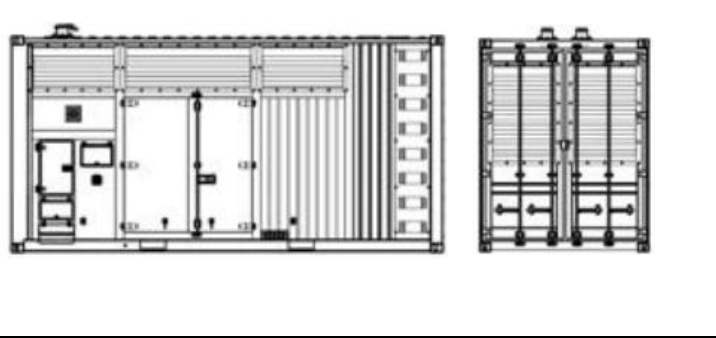
Generator

12 months from date of purchase or 1000 hours (whichever occurs first).

Unit Dimensions(Basic unit)



Open Type		
L*W*H	mm	4700*2200*2400
Weight	kg	10600



Silent Type(Standard 40'ft container)		
L*W*H	mm	40HQ
Weight	kg	



More information, pls refer to our web-site: www.longkaipower.com

Manufacturer reserves the right to make changes in model, technical specification, color, equipment and accessories without notice.