

POWER YOUR FUTURE

Cummins Generator LG100C

QSB5.9-G3

Prime Power: 100KW/125KVA

Standby Power: 110KW/137.5KVA



GENERATING POWER SOLUTIONS

Increased availability for new operations

Reliable, robust and versatile generator.
Ready to deliver power for a next job.

Increased uptime during operations

Once installed on the end-user-site, the generator will be ready to run: "peace of mind" operation.

Reduced transport and installation costs

The compact and robust design with integrated transport features enables faster and safer transport and installation.

Reduced service & maintenance costs

Longer service intervals.
Quicker and more efficient service jobs.

Premium resale value

Designed and built to last.

SAFETY

- Operate safely in accordance with proper operation manual.
- To prevent trouble and accidents, perform daily and preventive maintenance checks without fail.

Cummins Series

25KVA--2000KVA



LONGKAI

FUAN LONGKAI POWER CO.,LTD.

Headquarters:

Add: Wei 5 Road, Tiehu Industrial Zone, Fuan, Fujian, China

Tel: +86-0593-6309773 Fax: +86-0593-6586988

E-mail: sales@longkaipower.com

Web: www.longkaipower.com

Technical Data

LG100C

Model		LG100C
Rated prime power	kva	125
Rated standard power	kva	137.5
Rated voltage line to line	V	400/230
Rated current	A	180
Maximun sound level	dB(@7m)	96

Engine-DCEC Cummins		
Model		QSB5.9-G3
Aspiration	Turbo charged, air to air cooled	
Fuel system		INTEC
No. cylinders		6 in line
Displacement	Liquid	5.9
Bore*Stroke	mm	102*120
Compression ratio		17.3: 1
Rated speed	r/min	1500
Rated net power(with fan)	Kw	120
Governor type		Electronic speed
Start Motor	V	24

Exhaust System		
Exhaust gas flow	m ³ /min	280
Exhaust gas temp	°C	483
Max back pressure	kPa	10

Aspiration System		
Max inlet pressure	kPa	/
Combustion volume	m ³ /min	/
Air flow	m ³ /min	120

Fuel System		
100% load(Prime power)	L/h	26.0
75% load(Prime power)	L/h	25.0
50% load(Prime power)	L/h	18.0
Fuel tank capacity	L	340

Lubrication System		
Oil capacity	L	16.4
Oil consumption	g/kwh	0.5
Oil pressure	kPa	69
(continuous operation)		

Cooling System		
Coolant capacity	L	9
Thermostat operation range	°C	82-95
Max water temperature	°C	104

Alternator		
Model	LONGKAI	LK274D
	STAMFORD	UCI274D
Phase		3
Voltage	V	400/230
Wiring Type		3 Phase 4 wire, Y type
Bearing		1
Power factor		0.8
Frequency	Hz	50
Prime power	KW	96
Exciter Type		Brushless, self-excitation
Voltage regulation	%	±0.5
Protection Grade		IP 23
Insulation grade		H/H
Altitude	m	≤1000

Controller-DEESEA	
Model	DSE6120MK3
Protective functions:	<ul style="list-style-type: none"> ■ Low oil pressure ■ High water temperature ■ High/low voltage ■ High Engine Temperature and Overspeed. ■ Voltage regulator frequency regulator ■ Emergency stop ■ Start failure



Control Module Options



- Auto generator control module
- Control module with "Three Remote Control" functions
- ATS auto load transfer screen
- Synchronising control modules
- Power output cabinet

Standard Features

- Engine(DCEC Cummins)
- Radiator 50°C max,fans are driven by bel
- 24V charge alternator
- Alternator: single bearing alternator IP23, insulation class H/H
- Standard auto control system
- One set of air filter, fuel filter, oil filter
- Main line circuit breaker/MCCB
- Base fuel tank
- Two 24V batteries, rac and cable
- Exhaust system(Ripple flex exhaust pipe, exhaust siphon, flange, muffler)
- User manual

Options

- Battery charge
- Engine heater
- Alternator heater
- PMG
- Water oil separator
- Daily fuel tank
- Remote control panel
- Automatic transfer switch/ATS
- Switch box
- Standard: ● Options:○

Warranty*

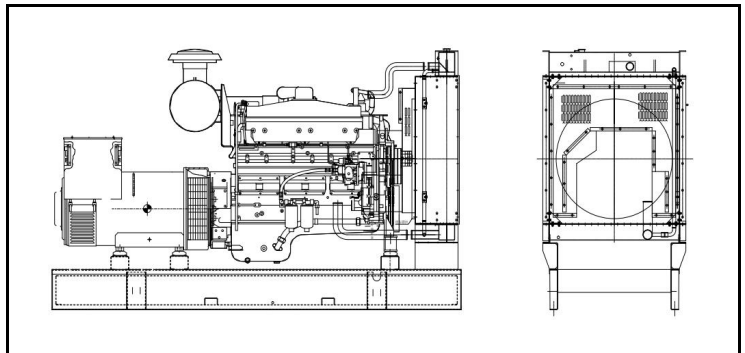
Cummins Engine

12 months from date of purchase and 1000 hours.

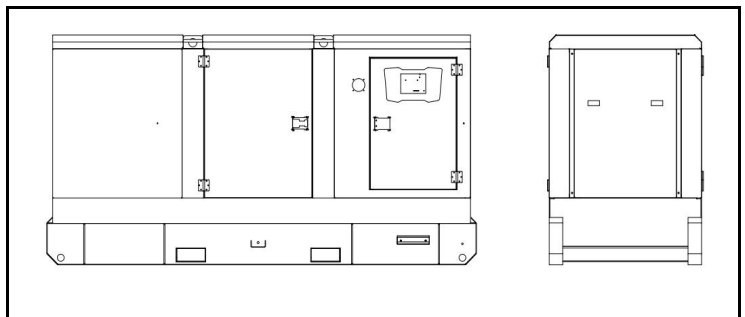
Generator

12 months from date of purchase or 1000 hours (whichever occurs first).

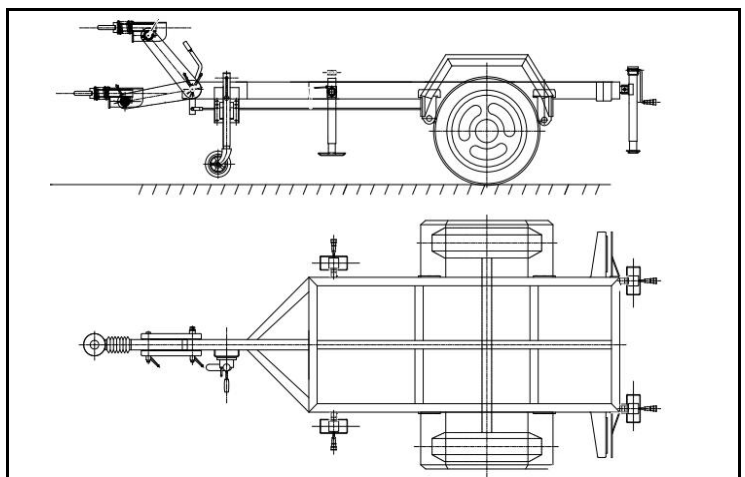
Unit Dimensions(Basic unit)



Open Type		
L*W*H	mm	2400*950*1510
Weight	kg	1500



Silent Type		
L*W*H	mm	2938*1080*1690
Weight	kg	1700



Trailer Option		
L*W*H	mm	4500*2000*950
Max loading weight	kg	2200